

Simplicity Bubblers
Chilled Beverage Dispensers 2x9 L,
agitator model with locking lid and UK
plug

ITEM # _____

MODEL # _____

NAME # _____

SIS # _____

AIA # _____


600924 (ECS2E22UKX)

Chilled Beverage Dispenser with 2x9 l bowls, agitator and locking lid, R290 - UK plug

Short Form Specification

Item No. _____

Chilled beverage dispenser, 2x9lt, with agitation function for fresh juices, coffees, or teas with minimal foaming system. Dispense 2 flavors in 2.4 gallon / 9lt easyclean bowls with 23cm cup clearance. Easy-off bowl release system for faster and easier assembly and disassembly. Bowls with locking lid for added safety against tampering. Temperature range from 1.7 - 5° C. Pre-mix dispenser with stainless steel base and clear plastic bowls. Delivered with UK plug.

Main Features

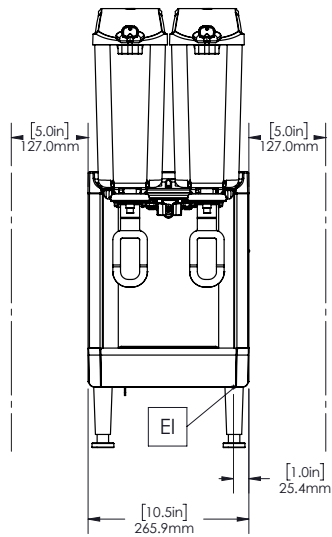
- Agitation function for fresh juices, coffees, or teas with minimal foaming system.
- Easy-off bowl release system for faster and easier assembly and disassembly.
- Dispense 2 flavors in 9 L easy-clean bowls with 23 cm cup clearance.
- User friendly design enables machine to dispense product till the very last drop.

Construction

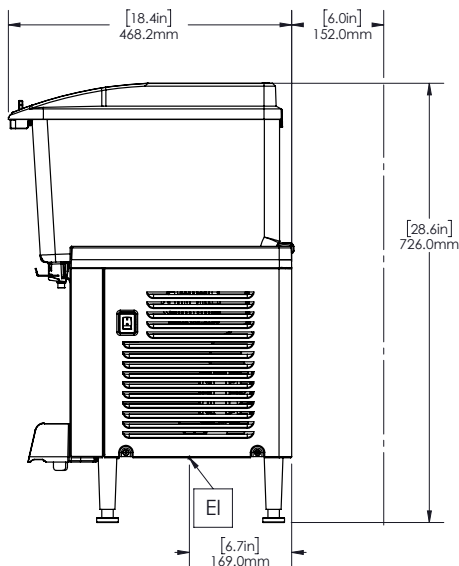
- Pre-mix dispenser with stainless steel base and clear plastic bowls.
- Compact size of 27 cm wide saves valuable counter space.
- Fewer removable parts to simplify cleaning and reduce maintenance.
- Temperature range from 1.7 - 5° C.
- The air intakes from the bottom and exhaust to back.
- Locking lid for added safety against tampering.
- Refrigerant type: R290.

APPROVAL: _____

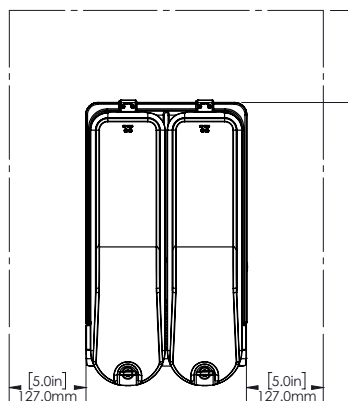
Front



Side



Top



Electric

Supply voltage:

600924 (ECS2E22UKX) 230 V/1N ph/50/60 Hz

Electrical power max.:

0.4 kW

Key Information:

External dimensions, Width: 267 mm

External dimensions, Depth: 451 mm

External dimensions, Height: 729 mm

Net weight: 20 kg

Shipping weight: 24 kg

Shipping height: 530 mm

Shipping width: 380 mm

Shipping depth: 480 mm

Refrigeration Data

Refrigerant type: R290